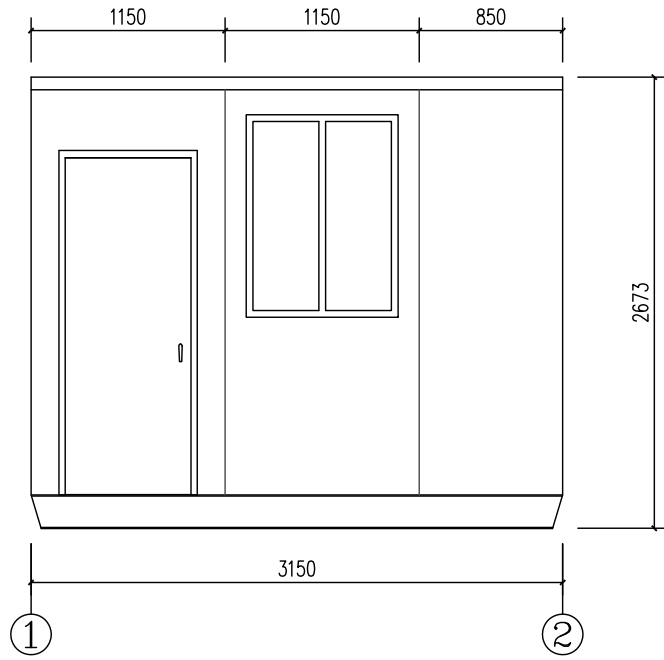


door & windows list

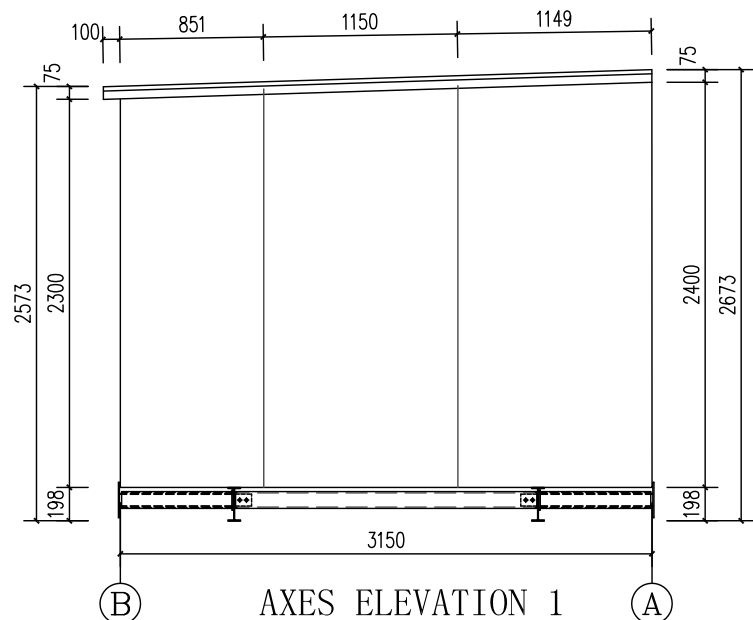
type	mark	size(mm)		Qty.	remark
		W	H		
door	D1	820	2040	1	
windows	C1	900	1200	2	



CLIENT	
PROJECT	3. 15m×3. 15m×2. 4m
PLAN	SHT. NO. JG-01 VERSIONS 00



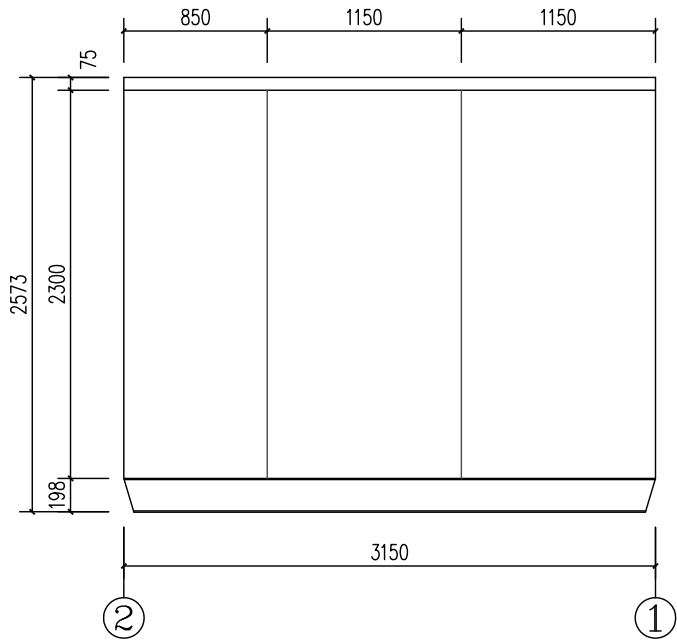
AXES ELEVATION A



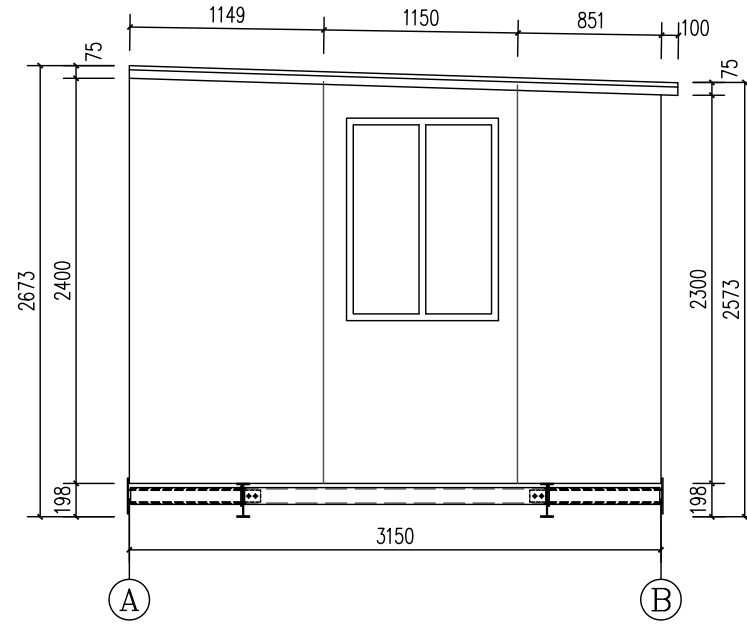
AXES ELEVATION 1



CLIENT	
PROJECT	3.15m x 3.15m x 2.4m
ELEVATION	SHT. NO. JG-04
	VERSIONS 00



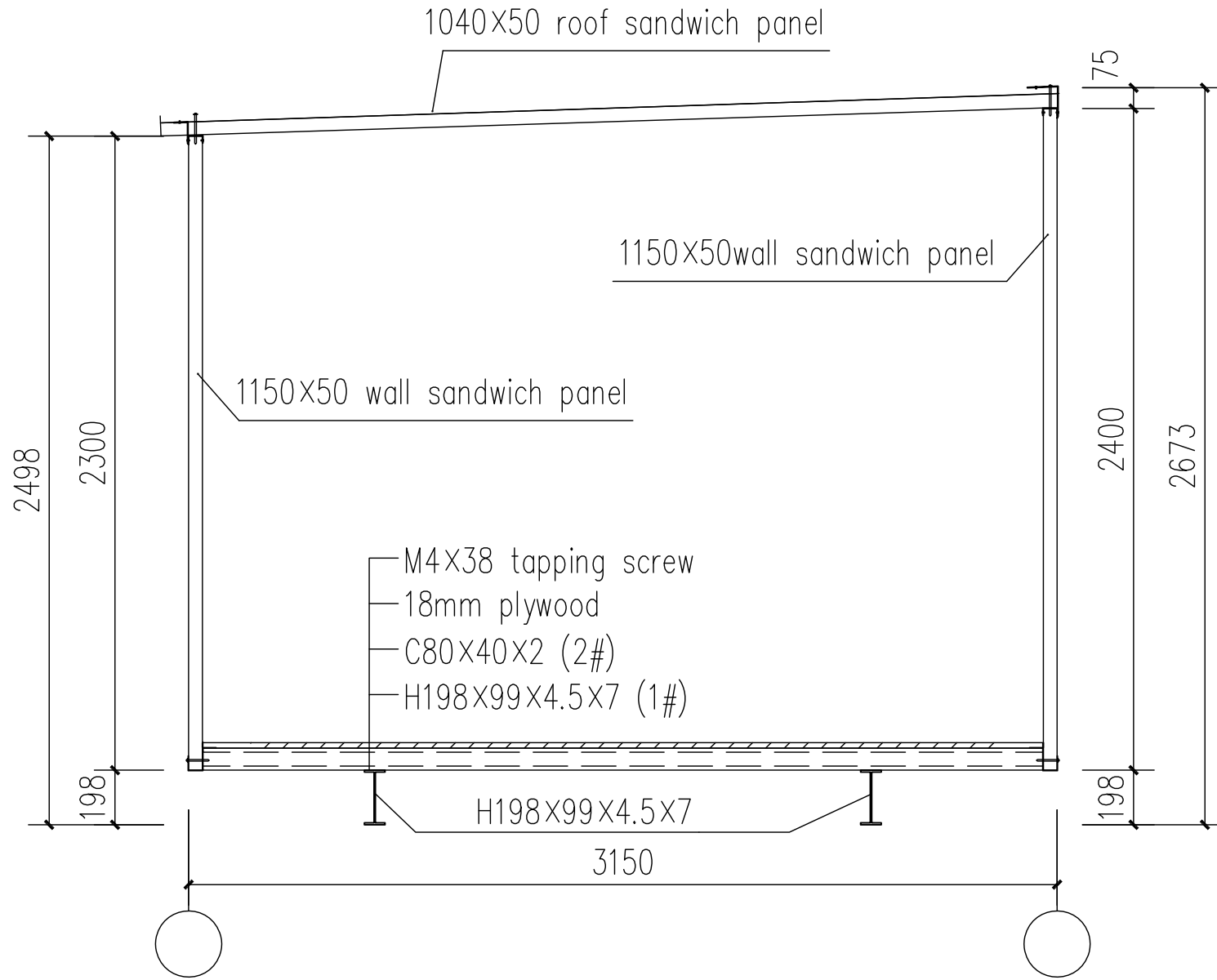
AXES ELEVATION B



AXES ELEVATION 2



CLIENT			
PROJECT	3.15m x 3.15m x 2.4m		
ELEVATION	SHT. NO.	JG-04	
	VERSIONS	00	



1-1



CLIENT	
PROJECT	3.15m×3.15m×2.4m
1-1 section	SHT. NO. JG-02
VERSIONS	00