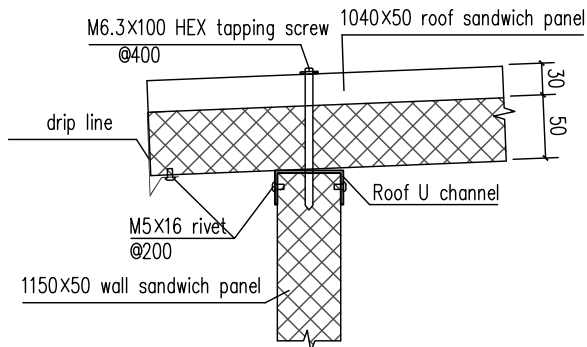
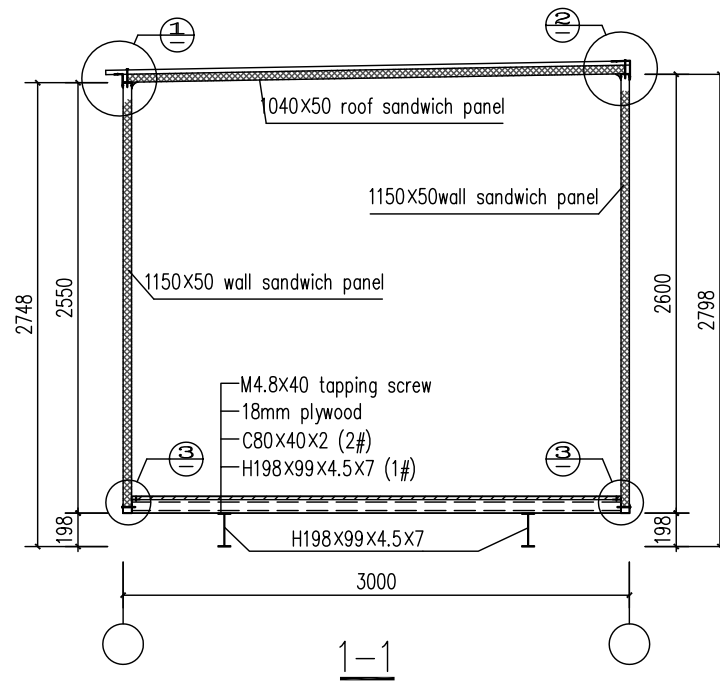


door & windows list

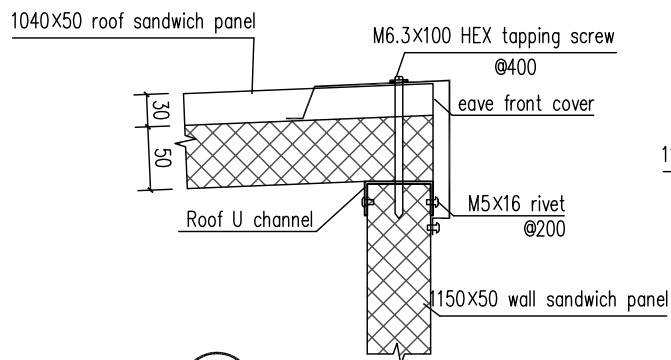
type	mark	size(mm)	qty.	remark
door	M1	820X2040	1	
windows	C1	900X900	2	



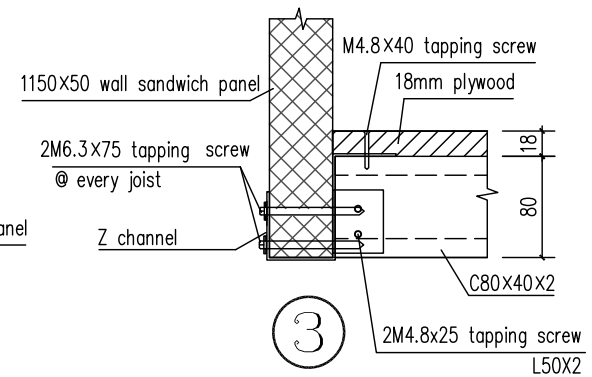
CLIENT			
PROJECT	6mX3mX2.6m		
PLAN	SHT. NO.	SG-01	
	VERSIONS		



1



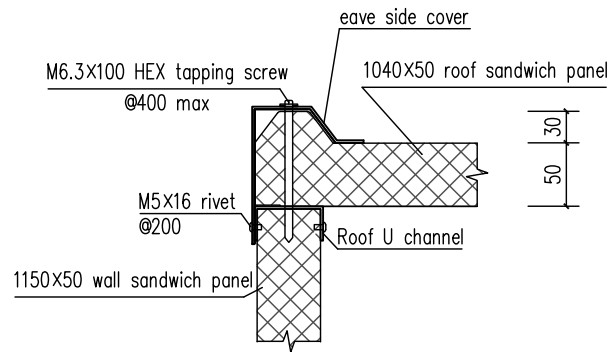
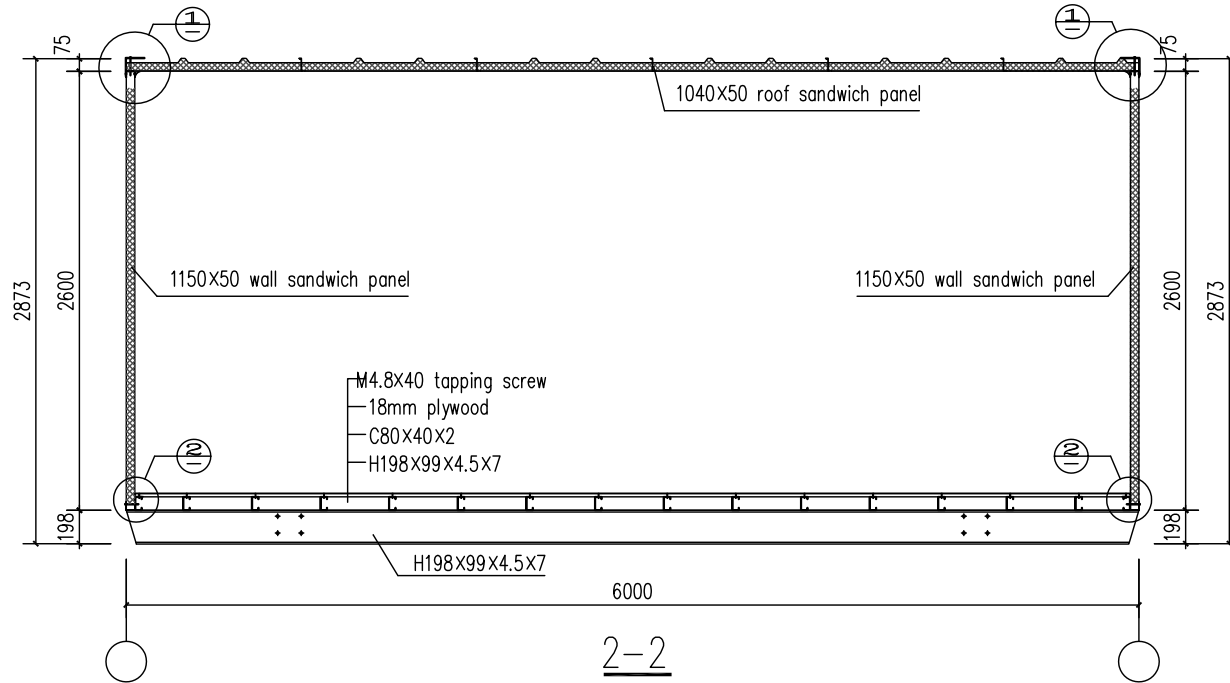
2



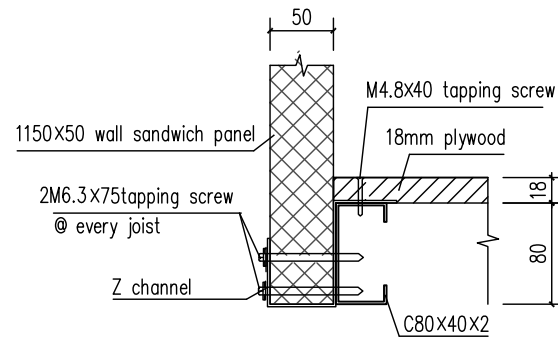
3



CLIENT			
PROJECT	6m X 3m X 2.6m		
	1-1 SECTION	SHT. NO.	SG-02
		VERSIONS	



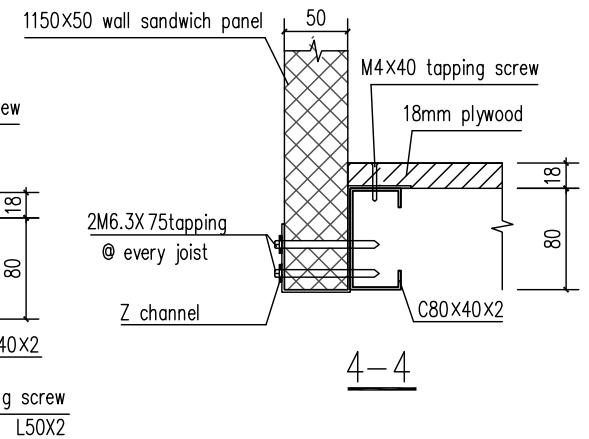
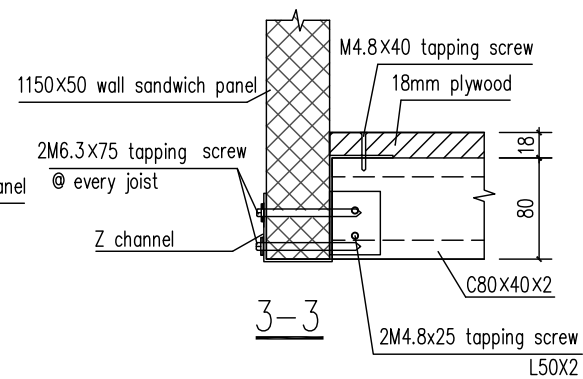
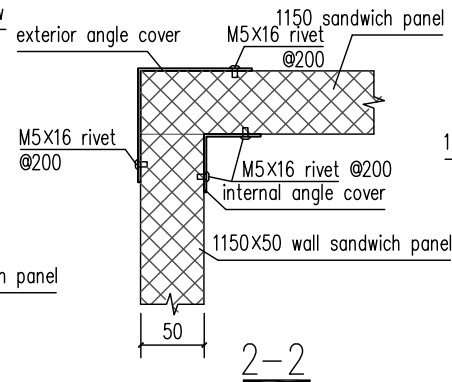
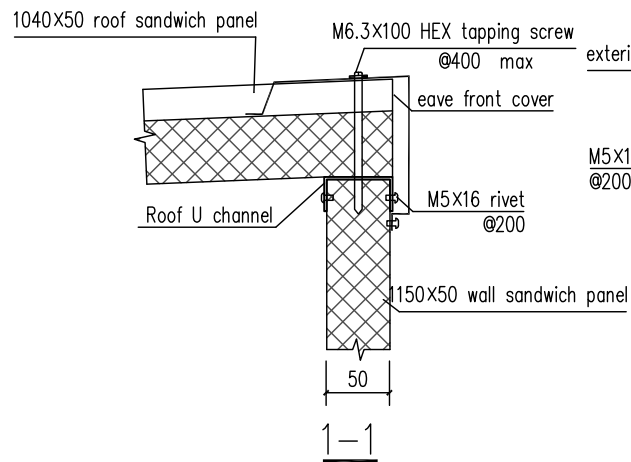
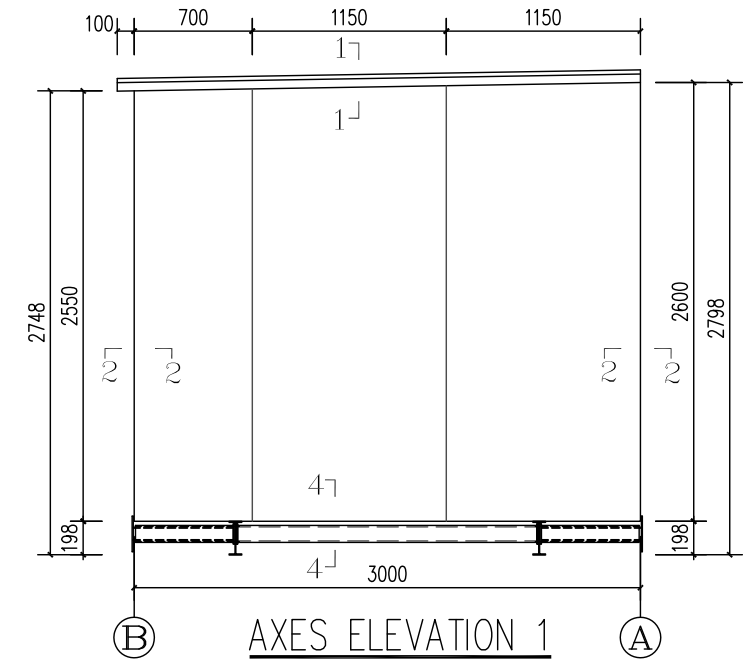
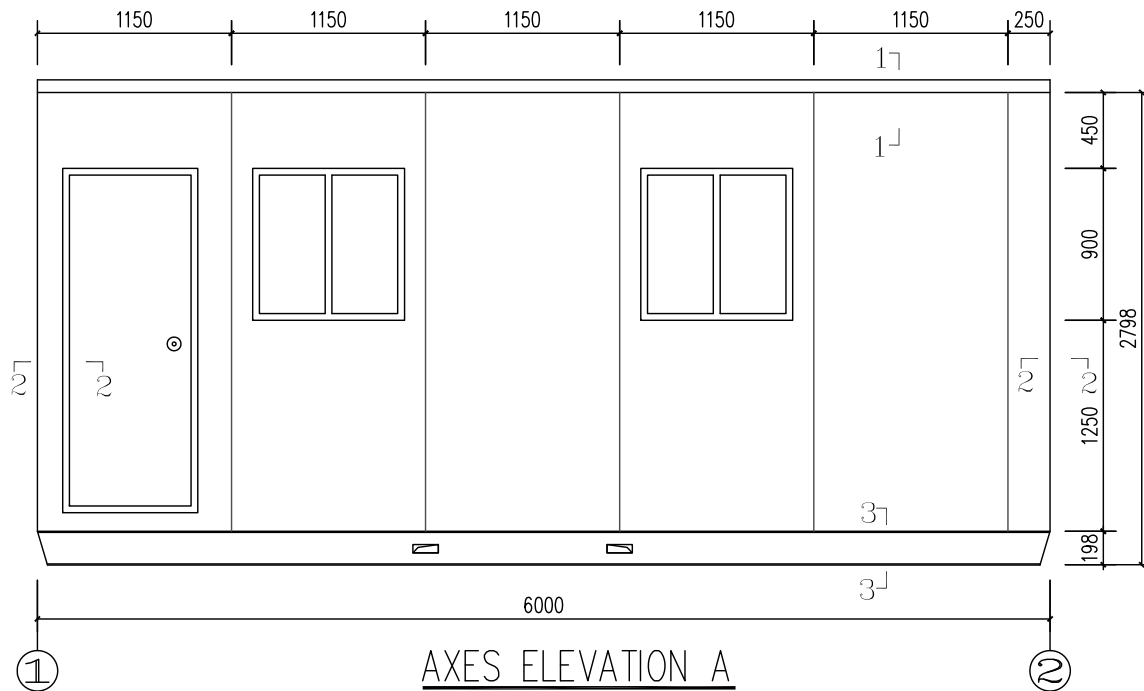
1



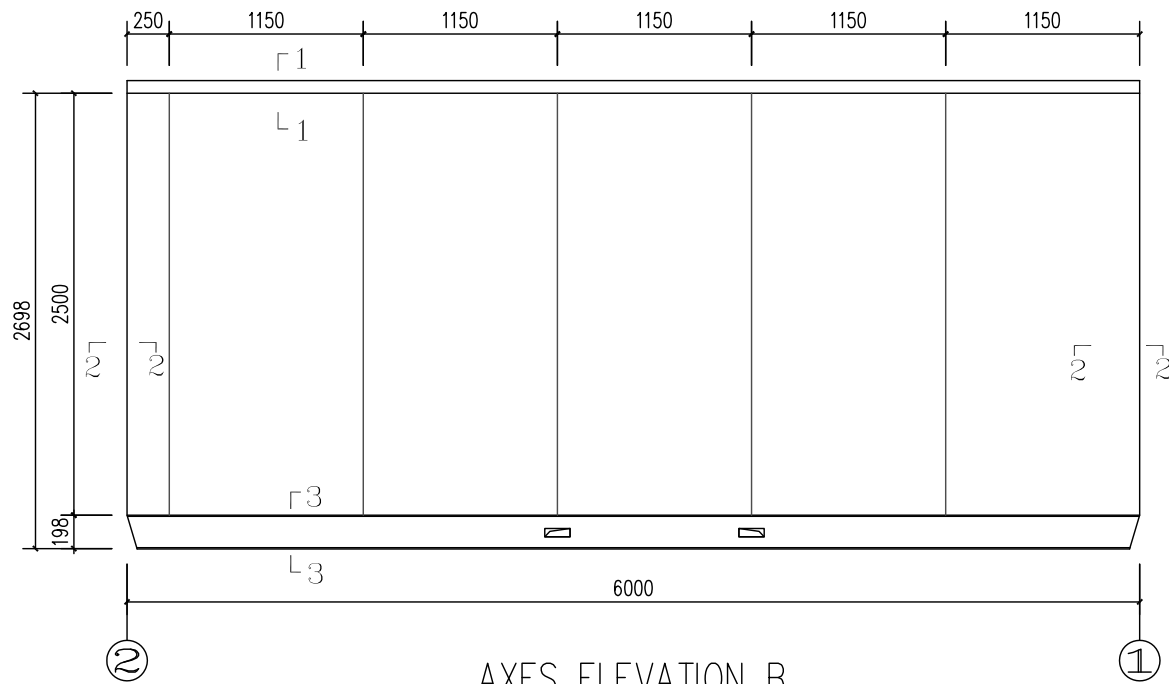
2



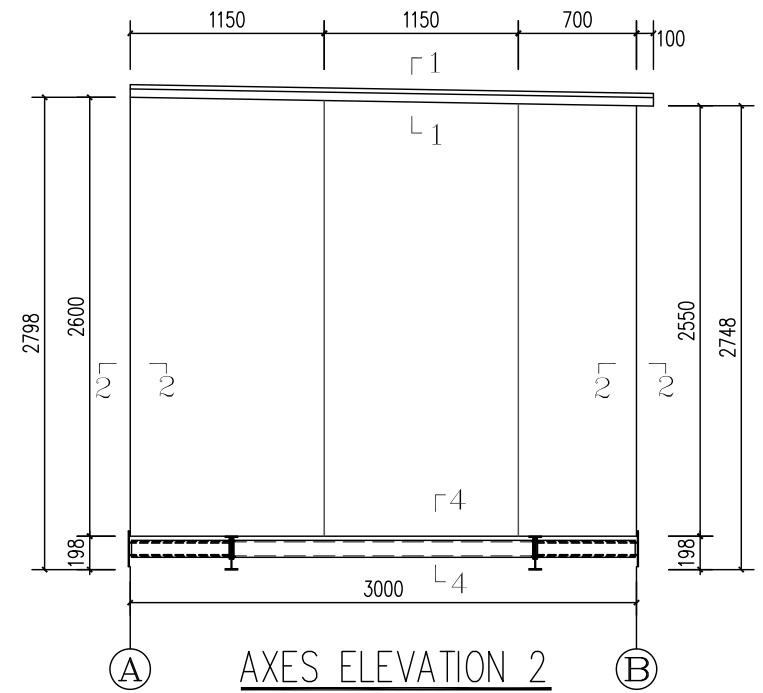
CLIENT			
PROJECT	6m X 3m X 2.6m		
2-2 SECTION	SHT. NO.	SG-03	
	VERSIONS		



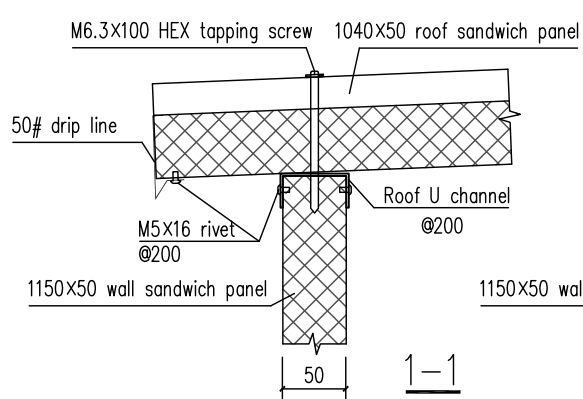
CLIENT		SHT. NO.	SG-04
PROJECT	6m X 3m X 2.6m	VERSIONS	
ELEVATION			



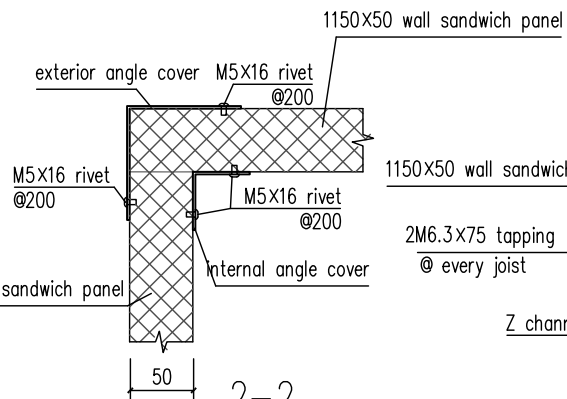
AXES ELEVATION B



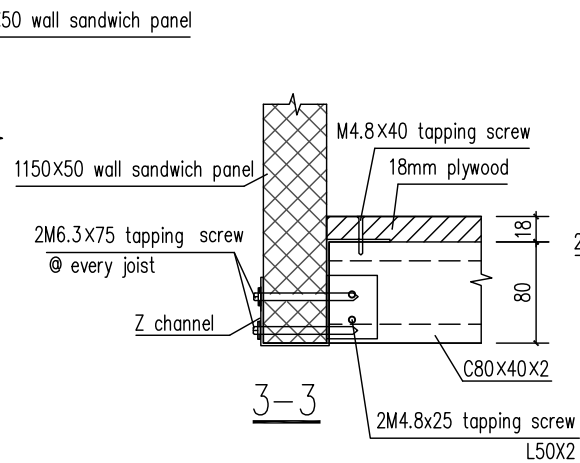
AXES ELEVATION 2



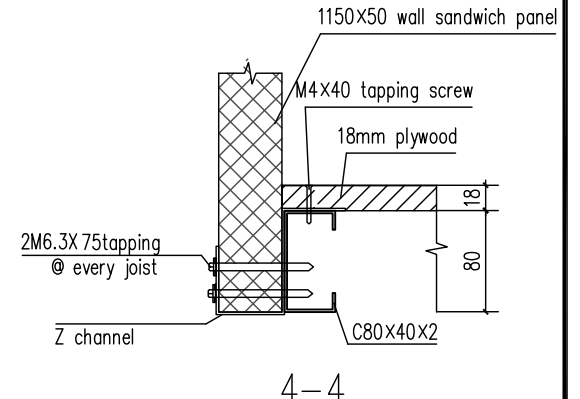
1-1



2-2



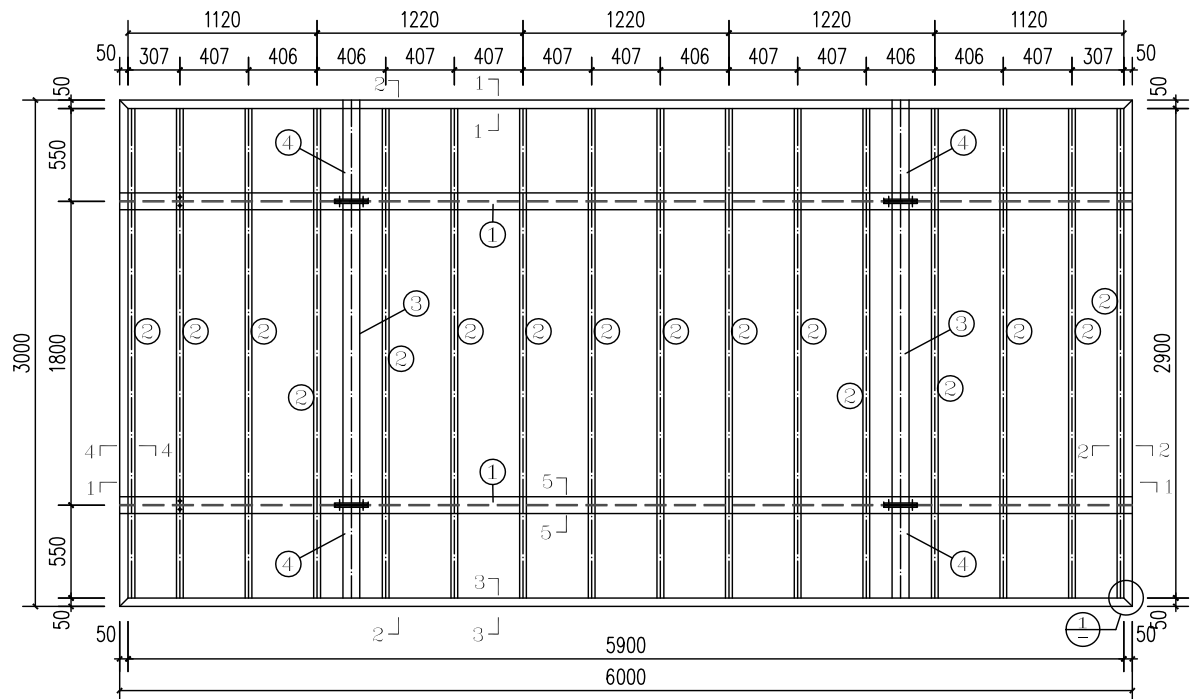
3-3



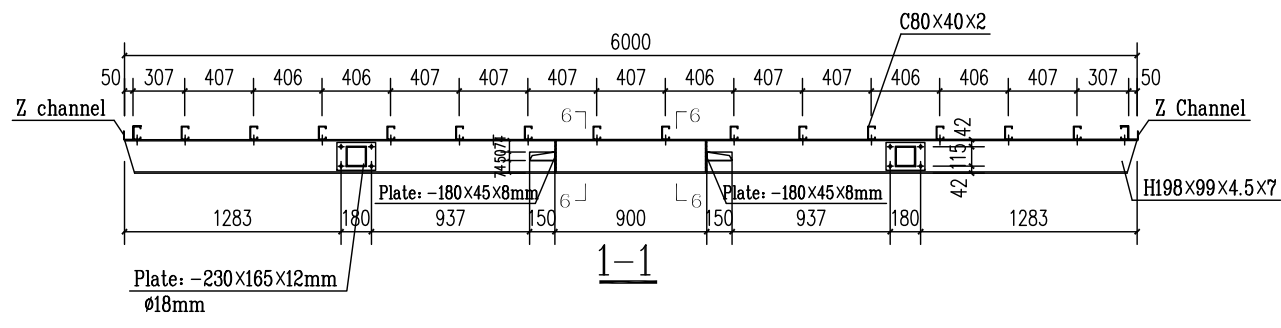
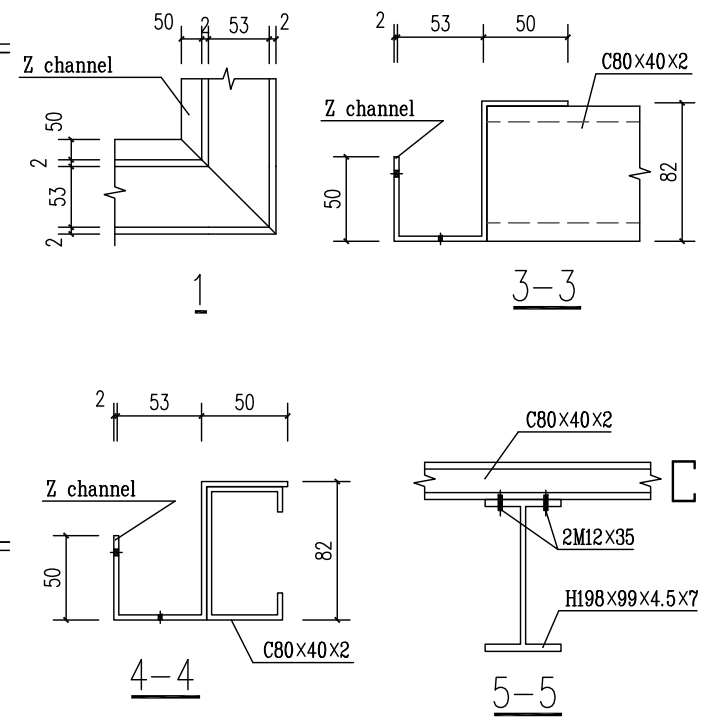
4-4



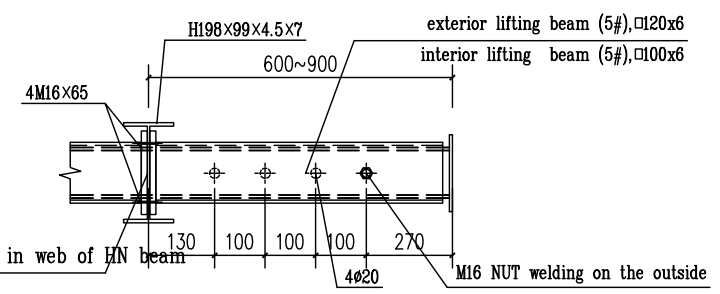
CLIENT			
PROJECT	6m X 3m X 2.6m		
ELEVATION	SHT. NO.	SG-05	
	VERSIONS		



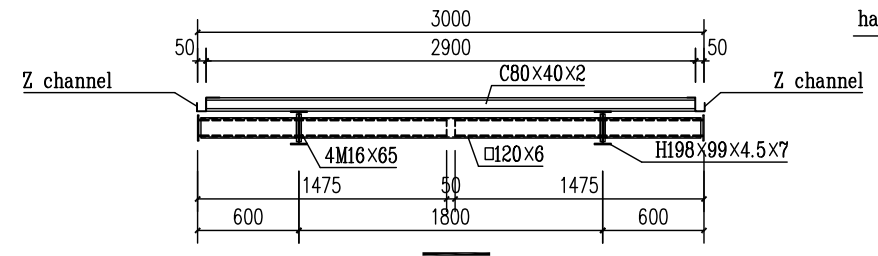
steel chassis plan



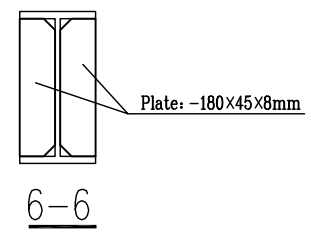
1-1



lifting connection



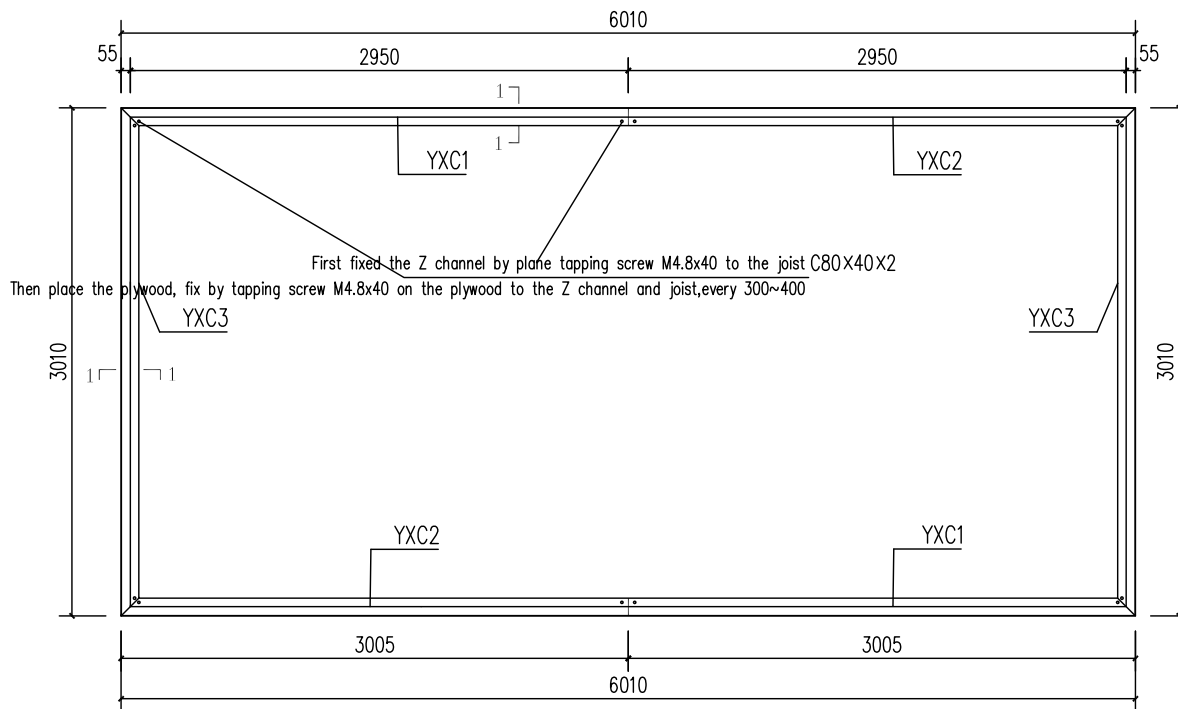
2-2



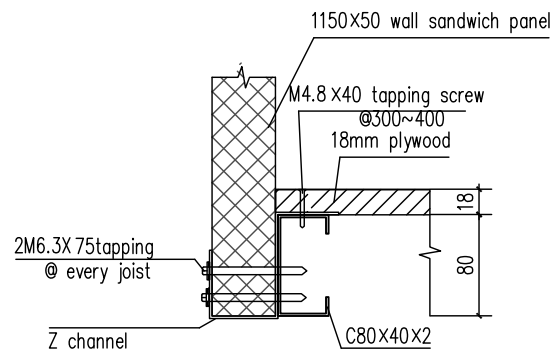
6-6



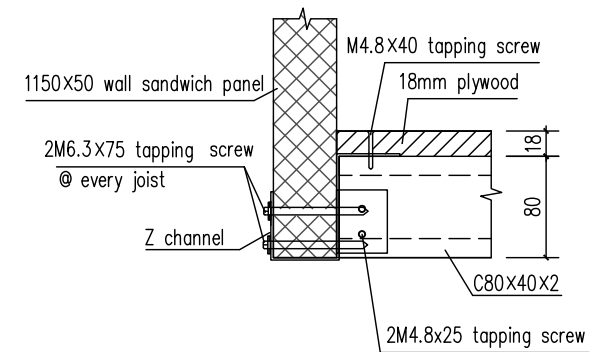
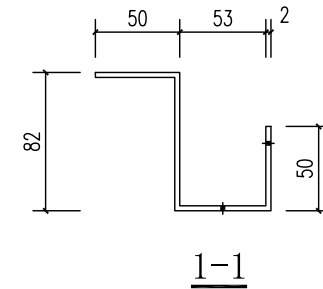
CLIENT		SHT. NO.	SG-06
PROJECT	6mX3mX2.6m	VERSIONS	
steel chassis plan			



Z channel plan



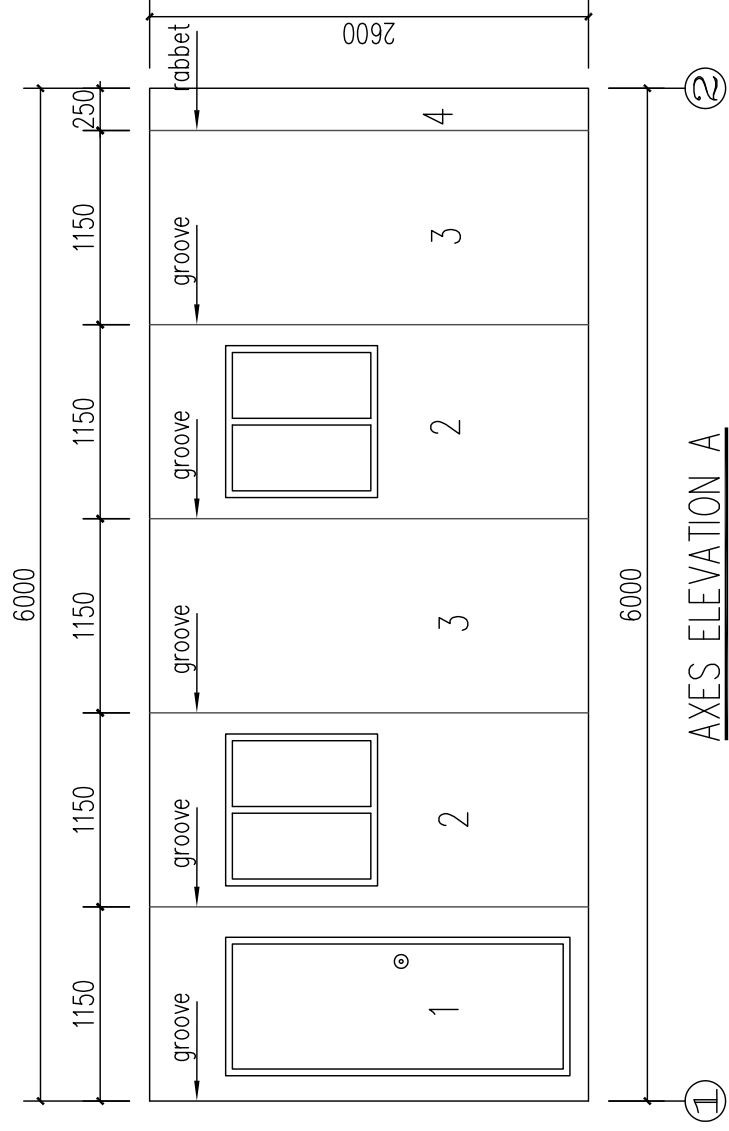
Z channel details 1



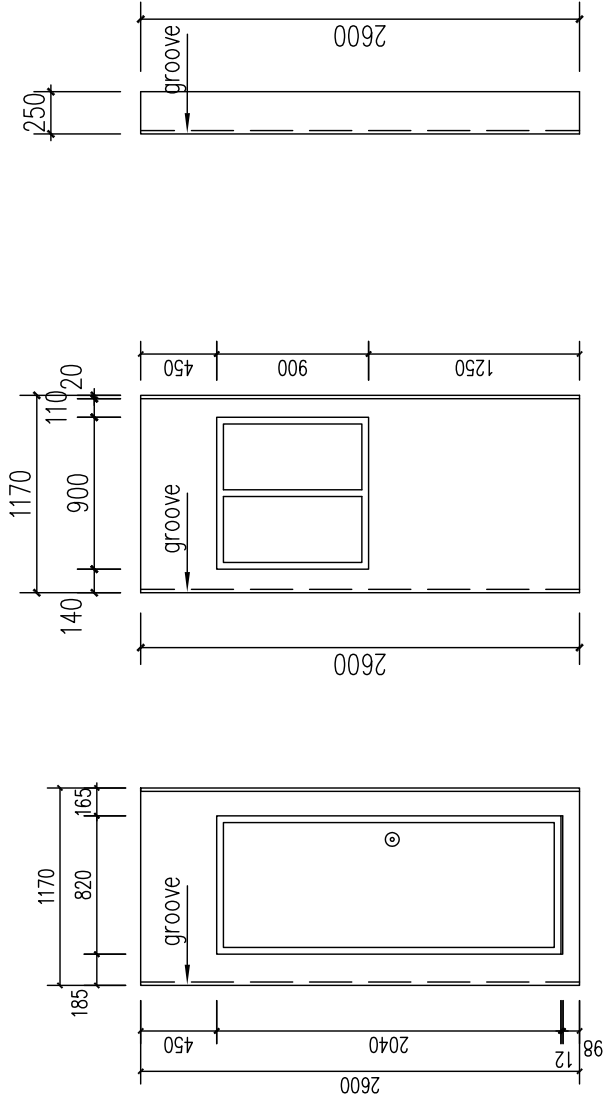
Z channel details 2



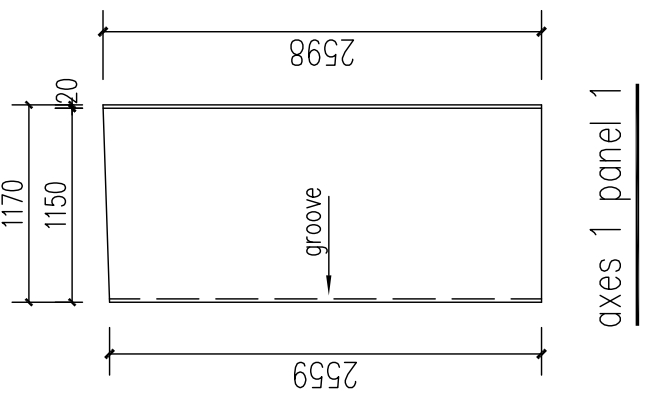
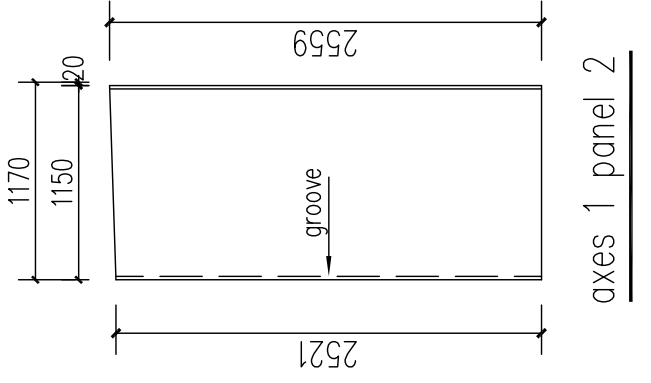
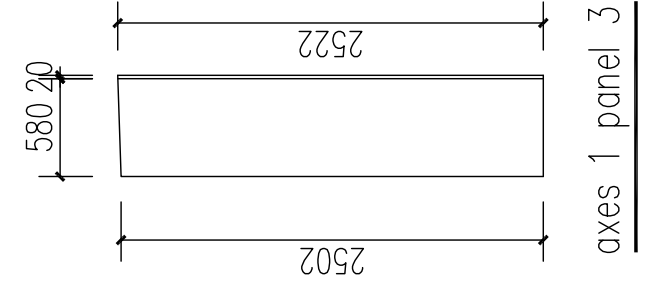
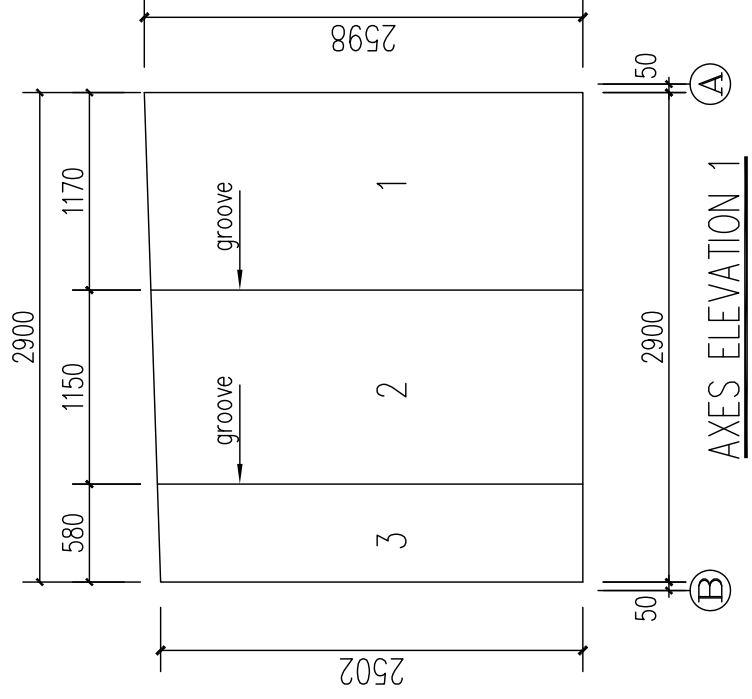
CLIENT			
PROJECT	6m X 3m X 2.6m		
Z channel plan	SHT. NO.	SG-07	
	VERSIONS		



AXES ELEVATION A

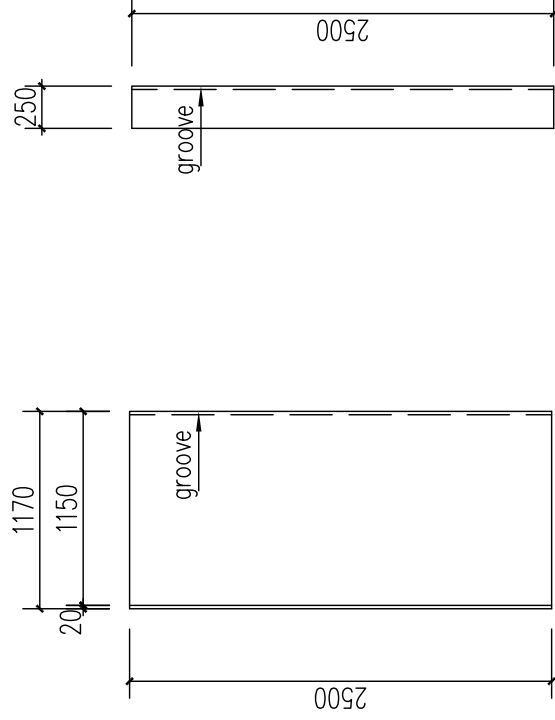
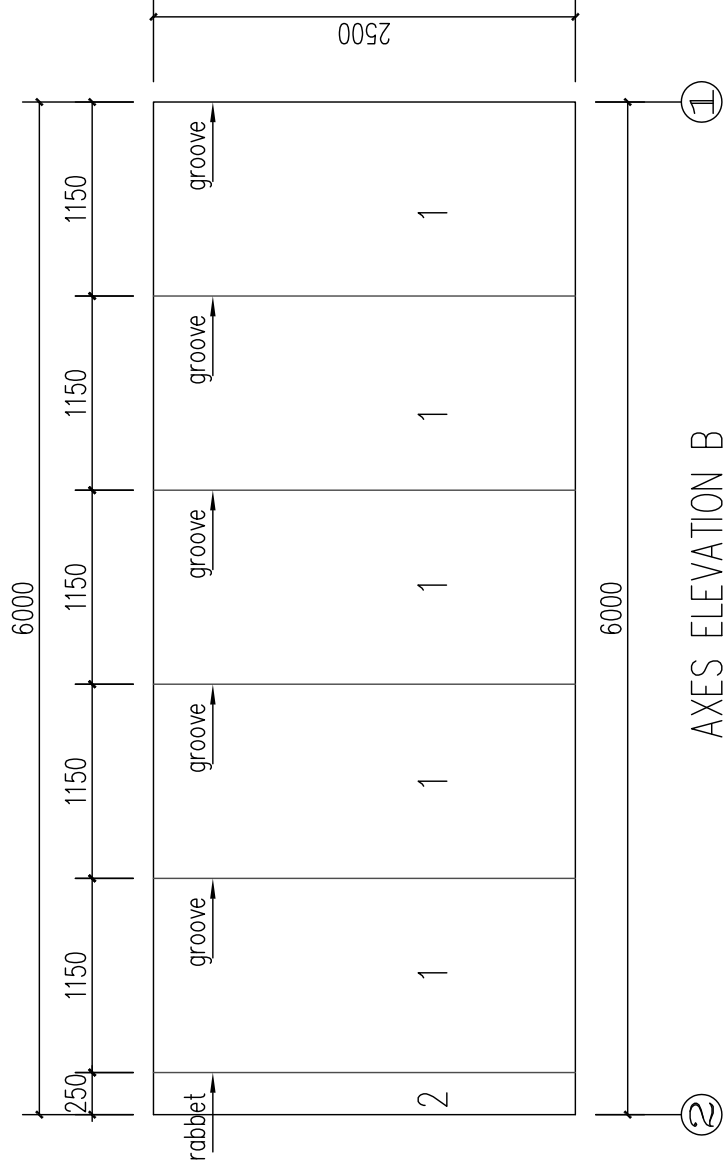


CLIENT	
PROJECT	6m X 3m X 2.6m
SHT. NO.	SG-08
VERSIONS	AXES ELEVATION A

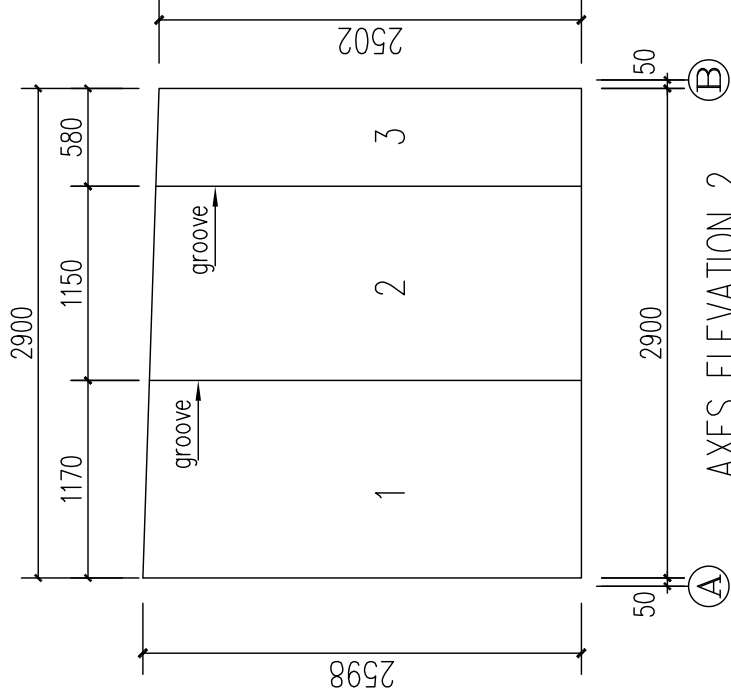


CLIENT	
PROJECT	6m x 3m x 2.6m
SHT. NO.	SG-09
VERSIONS	

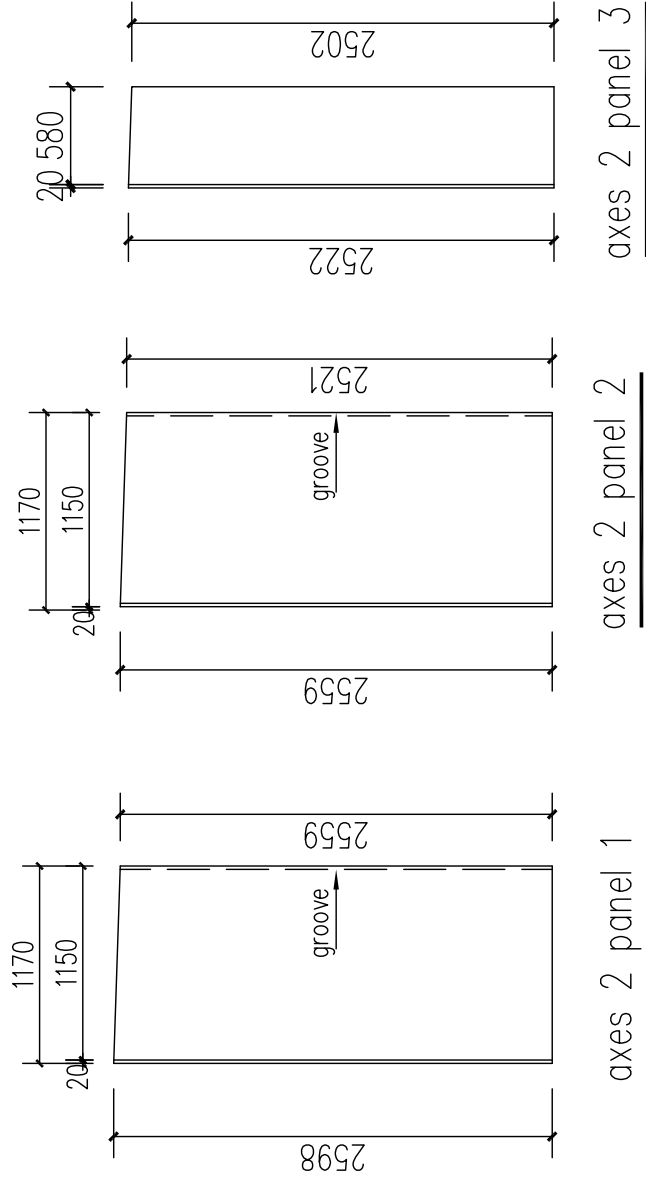
AXES ELEVATION 1



CLIENT	
PROJECT	6m X 3m X 2.6m
AXES ELEVATION B	
SHT. NO.	SG-10
VERSIONS	



AXES ELEVATION 2



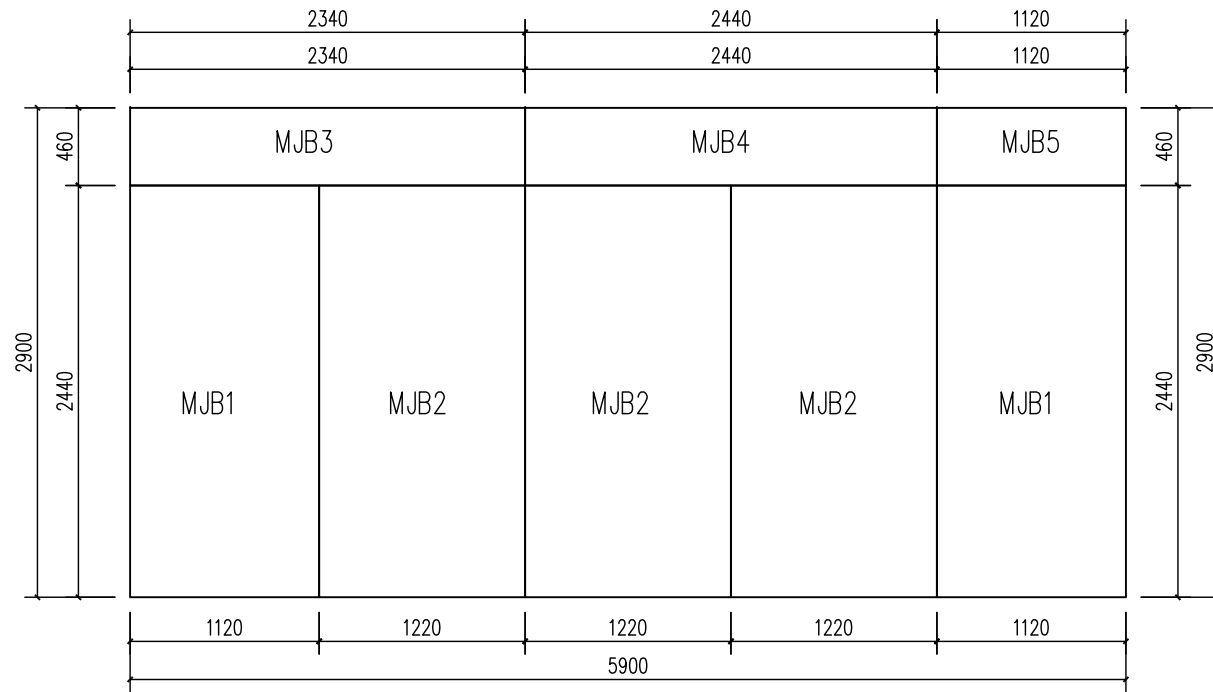
CLIENT

PROJECT 6m X 3m X 2.6m

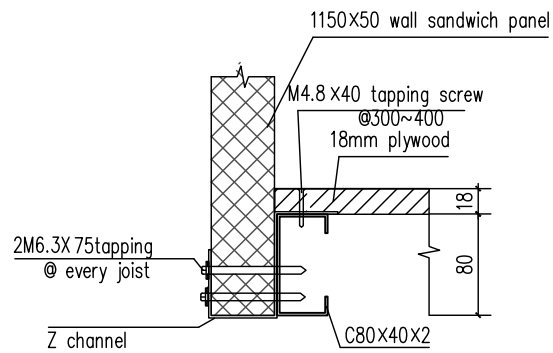
AXES ELEVATION 2

SHT. NO. SG-11

VERSIONS



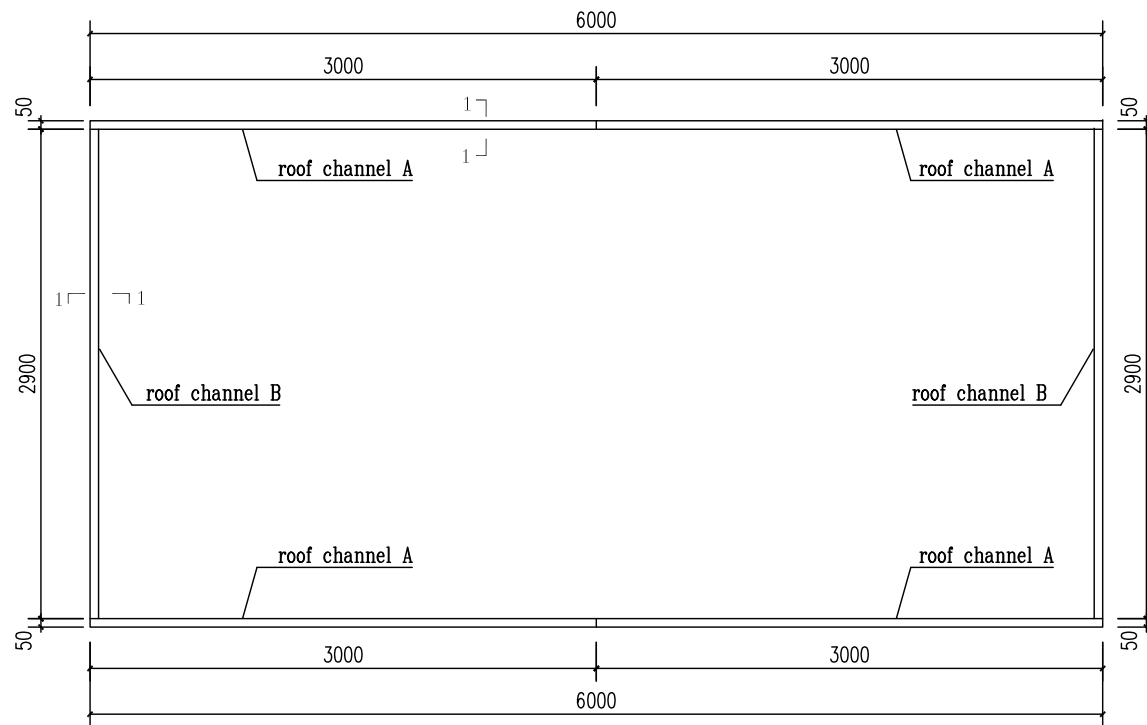
Plywood plan



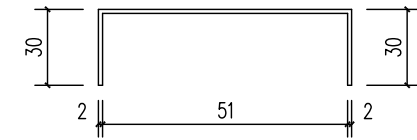
Z channel details 1



CLIENT			
PROJECT	6m X3m X2.6m		
Plywood plan	SHT. NO.	SG-12	
	VERSIONS		



roof channel plan

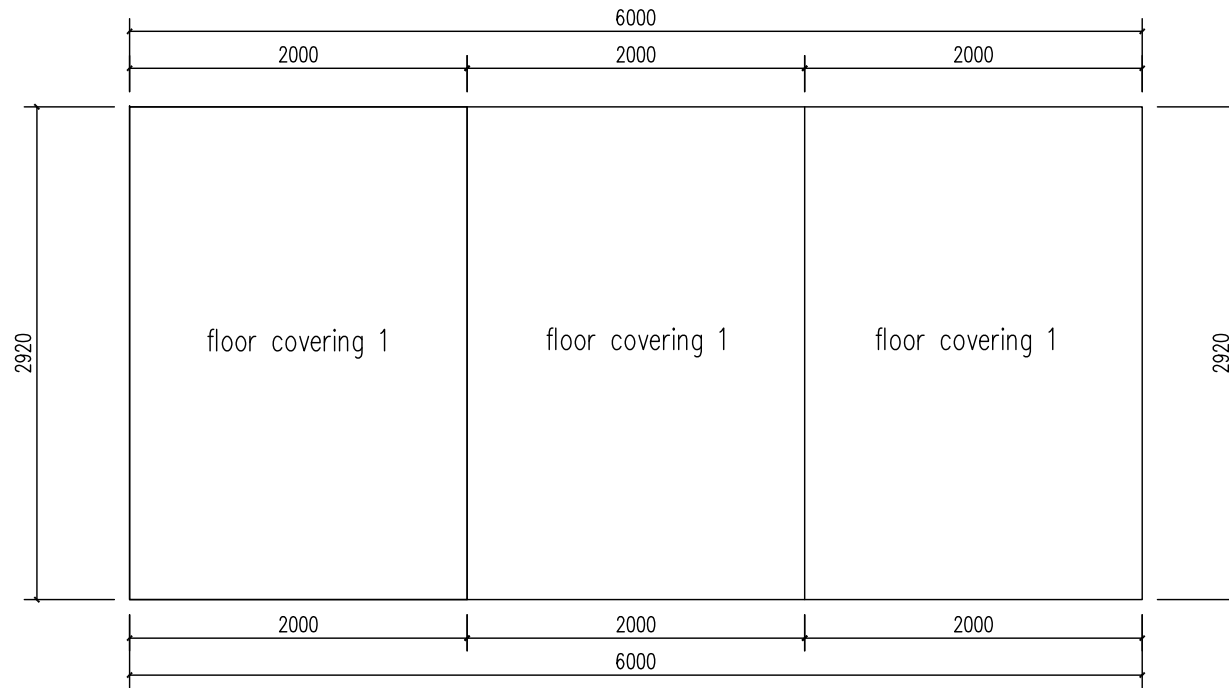


1-1

roof channel B: 2900*2 pc
 roof channel A: 3000*4 pc



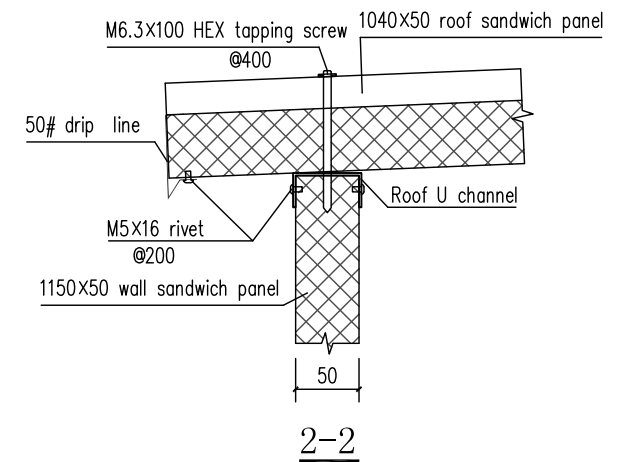
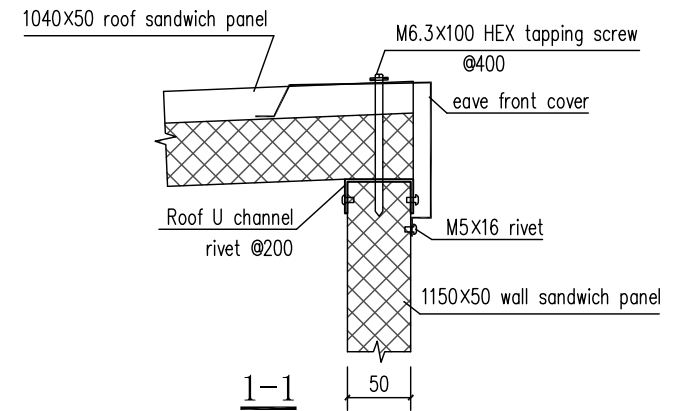
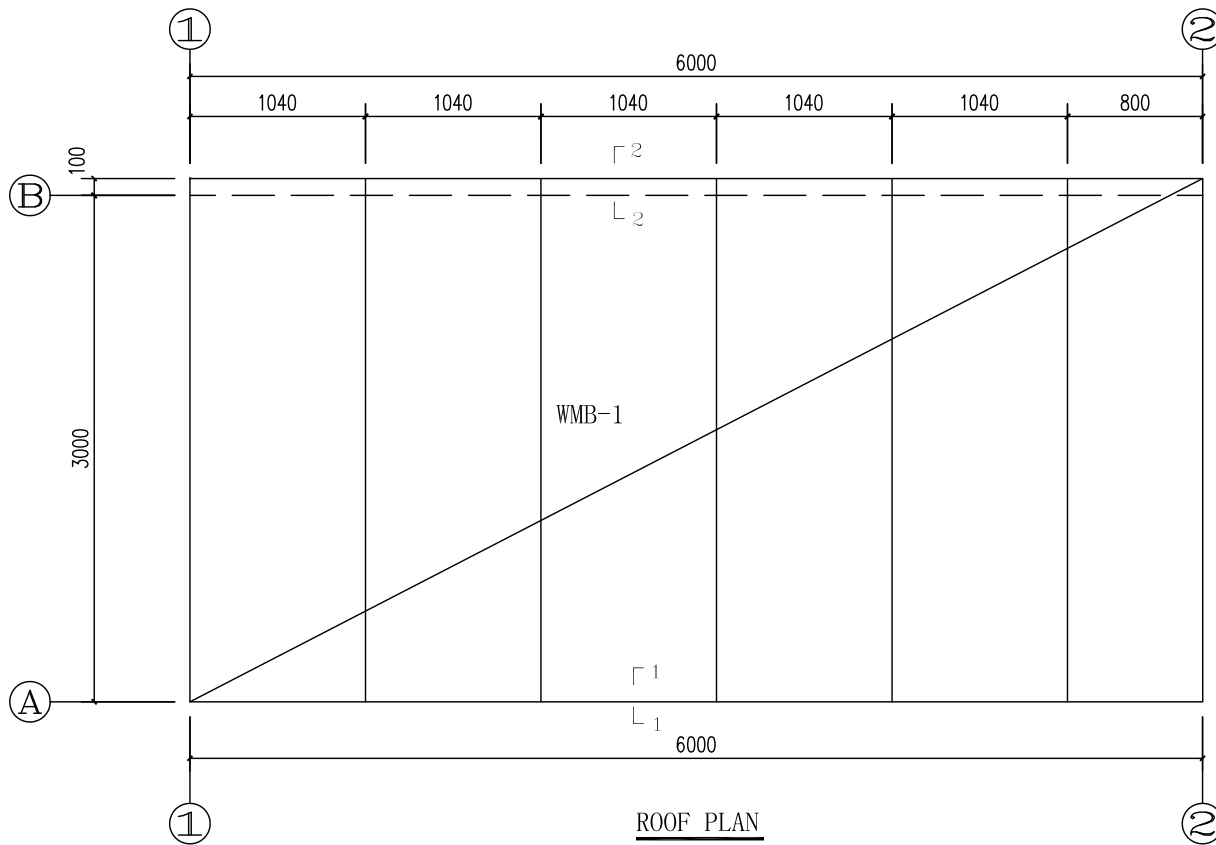
CLIENT			
PROJECT	6m X 3m X 2.6m		
roof channel plan	SHT. NO.	SG-13	
	VERSIONS		



floor covering plan



CLIENT			
PROJECT	6m X 3m X 2.6m		
floor covering plan	SHT. NO.	SG-14	
	VERSIONS		



CLIENT			
PROJECT	6m × 3m × 2.6m		
ROOF PLAN	SHT. NO.	SG-15	
	VERSIONS		